



EFFICIENT



CLEAN



HEALTH FRIENDLY



SAFE



ECONOMIC



CONNECTED

**dyomix**  
SMART FLAME

Intelligent gas generator

# Oxygen-hydrogen mobile flame station

## Dyomix 3.1

Dedicated to brazing and welding professional

Dyomix CleanTech makes it possible to produce a clean and efficient fuel easily and without storage, from the oxygen and hydrogen naturally present in the water. The flame thus produced, burning at over 2500°C, is particularly adapted to the needs of professionals using a flame in their daily applications. The Dyomix oxygen-hydrogen flame technology has been tested and used intensively in the industry since 2009.



### RAISED HANDLE

97 cm high for an enhanced carrying comfort.

### CARRYING HANDLES

Two sturdy and ergonomic side handles for more comfortable handling operations.

### HANDLE-STAND

Very convenient to share handling effort (in a staircase for example).

### ON-BOARD CONSUMABLES

Refills housed in protected compartments.

### LARGE CONTROL DISPLAY

Easy-to-read access to the different modes and functionalities.

### FLASHBACK ARRESTOR AND QUICK CONNECTION

Safety device with Flame arrestor (FA) to prevent flashback and Thermal cut-off valve (TV) to prevent excessive temperatures.

Self-sealing quick coupling system to facilitate and secure hose assembly and disassembly.



Made in France

24-month manufacturer warranty

Eco-responsible product

WWW.BULANE.COM

For more information, call us: +33 (0)4 67 830 908

OXY-HYDROGEN CLEAN FLAME  
by

bulane

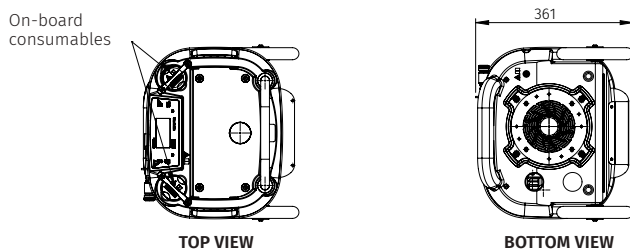
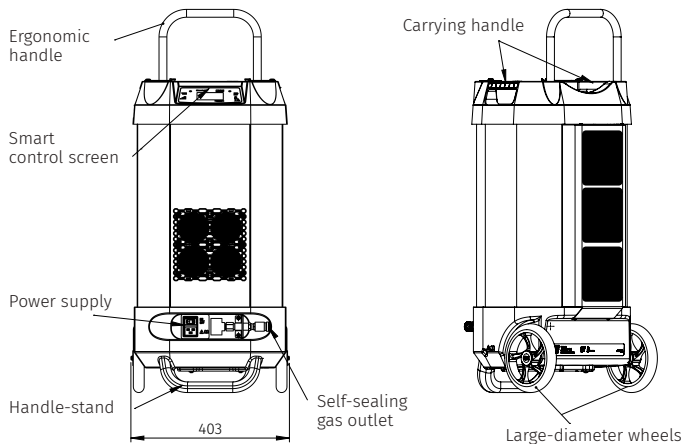
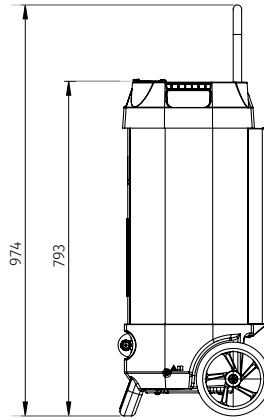
## TECHNICAL CHARACTERISTICS

### DIMENSIONS, WEIGHT AND HANDLING

- Height x Length x Width (mm) :  
403 x 361 x 793 / 974
- 51 kg

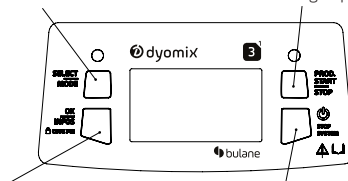
### FEATURES

- Hydrogen/Oxygen production
- Available pressure: 0 to 1.4 bar
- Debit: 750 L/h
- Duty cycle (at T°C Ambient 20°C):  
100% in all operating modes



**SELECT/MODE**  
allows you to navigate through the menus.  
Long press 5s = Services Menu

**PROD START/ STOP**  
allows the start or stop  
of gas production



**OK/INFOS** allows the validation of functions  
or the display of information.  
Long press 5s = Info Settings Menu

**STOP SYSTEM**  
allows the device to be switched off



### ELECTRICITY, WATER & ADDITIVE DATA

- Single-phase power supply: 230 Vac - 16A,  
plug 2P + T (type F / Schuko)
- Electric power mode 3.0 : 3.0 kW
- Pure water consumption\* mode 3.0 : 0.4 L/H
- Types of pure water recharge:
  - 0.25 L bottle - range 35 mn
  - jerrycan 5 L - autonomy 12.5 h
- Additive consumption\*\* mode 3.0 : 0.16 L/H
- Types of additive refill:
  - 0.125 L bottle - range 40 mn
  - jerrycan 5 L - autonomy 31.25 h

### ELECTRONIC FUNCTIONS, INSTRUMENTATION & INTEGRATED SYSTEMS

- LCD display with real-time user messages
- Visual and audible alarms (LEDs and buzzer)
- "Self-leak test" function
- Integrated security functions
- USB port for communication with the device + charging  
equipment on Smartphone battery
- Internal gas pressure reading manometer
- Electronic pressure regulator
- Ergonomic self-piloted flame (system of flame colouring  
and gas odouring)
- Quick gas connection with locking mechanism and safety  
monitor

### SAFETY AND COMPLIANCE

- Highly fire-resistant plastic shells
- Flashback Arrestor security device
- Pressure Equipment Directive (PED): 2014/68/UE
- Electric security / Low voltage directive: 2014/35/UE
- Electromagnetic compatibility (EMC) directive: 2014/30/UE
- Protection Index: IP21 equivalent

### CARE AND MAINTENANCE

Periodic maintenance according to usage rate.

\* Water respecting the quality level recommended by Bulane.

\*\* Additive respecting the quality level recommended by Bulane.